

Designed
around your life



IMPORTANT!
KEEP THESE
INSTRUCTIONS FOR
FUTURE REFERENCE:
READ ALL INSTRUCTIONS
BEFORE USE

Contents

Product Information

Product Registration	4
Warranty	4
Contact	4

Child Usage Requirements	5
---------------------------------	---

Warnings	6
-----------------	---

Parts List	8
-------------------	---

Product Set Up	10
-----------------------	----

Stage One Use	10
----------------------	----

Stage Two Use	12
----------------------	----

Product Use	14
--------------------	----

Accessory

Toy Bar	18
---------	----

Cleaning and Maintenance	20
---------------------------------	----

Product Information

Model Number: _____

Manufactured in (date): _____

Product Registration

Please fill in the above information. The model number and the manufactured in date are located on the base. Fill out the prepaid registration postcard attached to the product and mail it today.

To register your product please visit:

www.nunababy.com

Click on the “Register Gear” link on the homepage.

Warranty

We have purposely designed our high-quality products so that they can grow with both your child and your family. Because we stand by our product, our gear is covered by a custom warranty per product, starting from the day it was purchased. Please have the proof of purchase, model number and manufactured in date available when you contact us.

For warranty information please visit:

www.nunababy.com/warranty

Contact

For replacement parts, service, or additional warranty questions, please contact our customer service department.

In the USA:

infousa@nunababy.com

www.nunababy.com

1.855.NUNA.USA

Child Usage Requirements

This product is intended for two stages of use:

Stage One: With Harness

For use from birth until the child starts trying to sit up or has reached 20 lb (9 kg, approximately 6 months of age), whichever comes first.

Stage Two: Without Harness

For use as a chair when the child is able to walk.

Discontinue stage two use when child reaches 130 lb (60 kg).

⚠️WARNING

Failure to follow these warnings and instructions could result in serious injury or death.

A child's safety is your responsibility.

Use original Nuna parts and accessories only.

DO NOT use this product if it is damaged or broken.

FALL HAZARD: Children have suffered head injuries falling from rockers.

- **ALWAYS** use restraints. Adjust to fit snugly.
- **NEVER** lift or carry baby in rocker.
- **STOP** using product when baby starts trying to sit up or has reached 20 lb (9 kg, approximately 6 months of age), whichever comes first.
- **ALWAYS** place rocker on floor. Never use on any elevated surface.

SUFFOCATION HAZARD: Babies have suffocated when seats tipped over on soft surfaces.

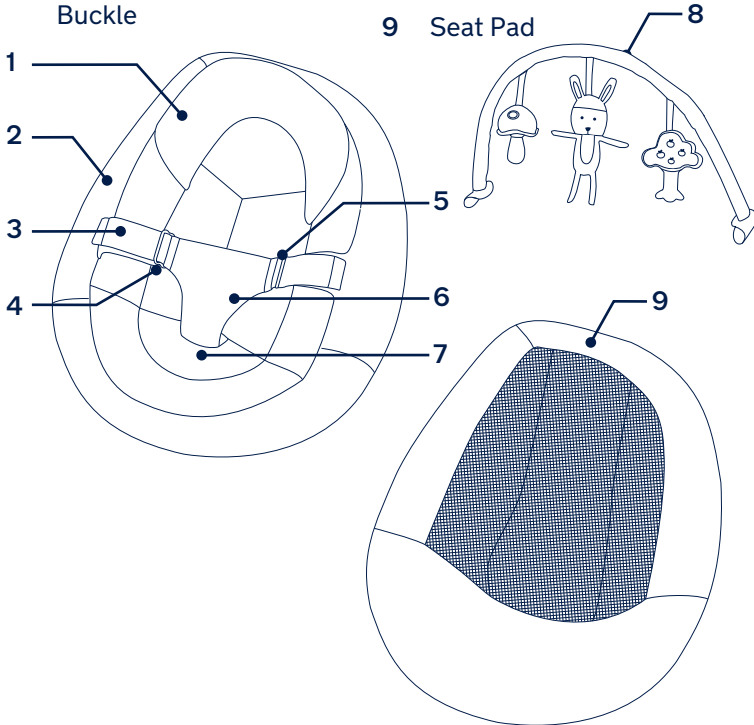
- **NEVER** use on a bed, sofa, cushion, or other soft surface.
- Stay near and watch child during use. This product is not safe for unsupervised use or unattended sleep.

Strings can cause strangulation! **DO NOT** place items with a string around a child's neck, such as hood strings or pacifier cords. **DO NOT** suspend strings over product or attach strings to toys.

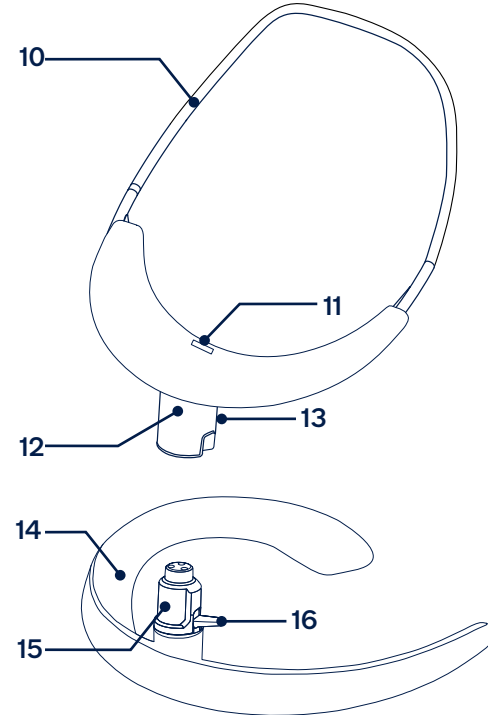
Parts List

Make sure all parts are available before assembly.
If any part is missing, please contact Nuna (see page 4 for information). No tools are required for assembly.

- | | |
|-----------------------------|---|
| 1 Infant Insert | 6 Crotch Support |
| 2 Seat Cover | 7 Seat Cover Attachment Buckle
<small>(located on the back inside of the seat cover)</small> |
| 3 Harness Strap | 8 Toy Bar |
| 4 Harness Loop | 9 Seat Pad |
| 5 Harness Adjustment Buckle | |



- | | |
|-------------------------------|------------------------------|
| 10 Seat Frame | 13 Recline Adjustment Button |
| 11 Seat Cover Attachment Hole | 14 Base |
| 12 Seat Mount | 15 Base Mount |
| | 16 Motion Lock |



Product Set Up

- 1 - Align the seat mount with the base mount. Place the seat directly down until it clicks into place. A “click” sound means the seat and base are assembled completely.

After assembly, pull up on the seat to ensure it is properly secured to the base.

Stage One Use

Stage one can be used from birth until your child begins trying to sit up or reaches 20 lb (9 kg), whichever comes first.

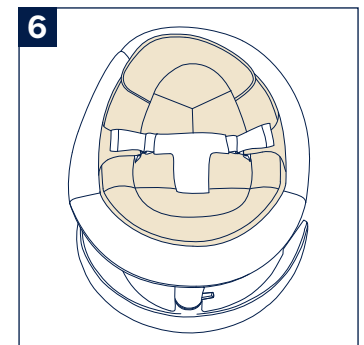
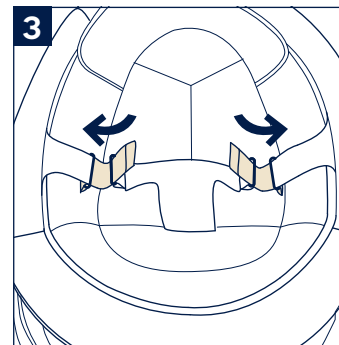
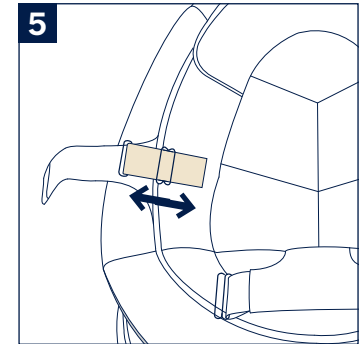
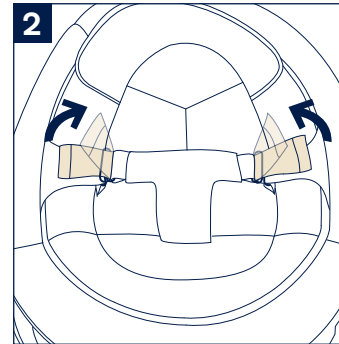
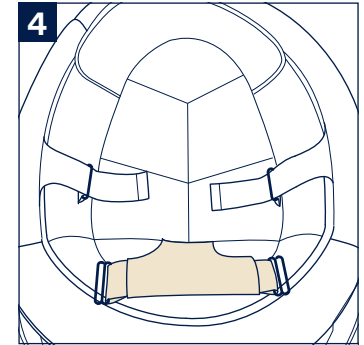
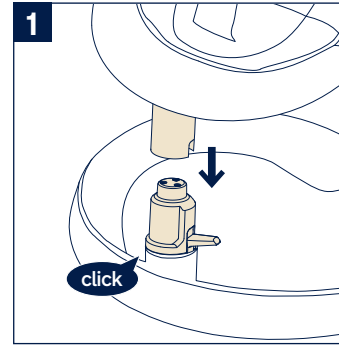
- 2 - To secure your child, lift the ends of the harness straps away from the seat cover to unfasten the hook and loop.
- 3 - Remove the harness straps from the harness loops.
- 4 - Fold down the crotch support.
- 5 - Fit the harness snugly to your child by sliding the harness adjustment buckles, as needed.

Place your child in the seat and reverse these steps to secure your child in the harness.

Infant Insert

The infant insert can be used for stage one use to provide a better fit for smaller babies.

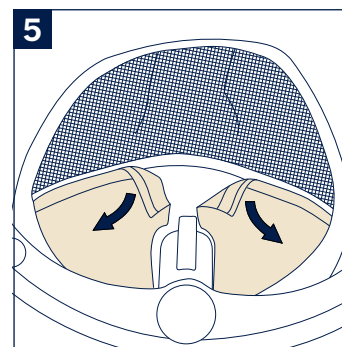
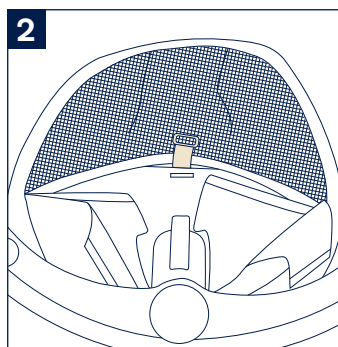
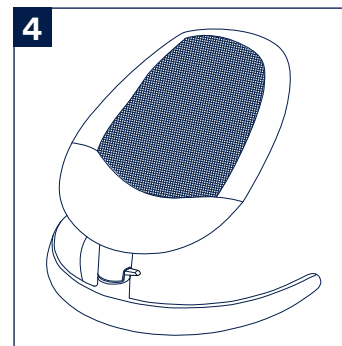
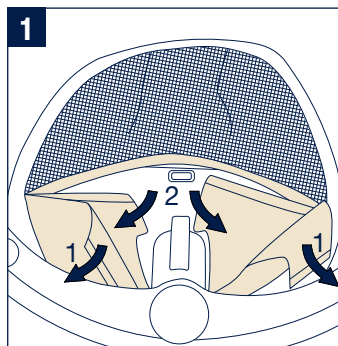
- 6 - To remove the infant insert, unbuckle the harness and route the harness straps through the infant insert holes.



Seat Cover

⚠ Discontinue using the seat cover when the infant starts trying to sit up or has reached 20 lb (9 kg).

- 1 - To remove the seat cover, flip the seat over and unfasten the hook and loop from the seat cover (1) and the seat pad (2).
- 2 - Detach the seat cover attachment buckle from the seat frame, then refasten the hook and loop on the seat pad.
- 3 - Flip the seat over, and starting from the bottom, remove the seat cover from the seat pad (1). Then, slide the seat cover up, off the top of the seat pad.



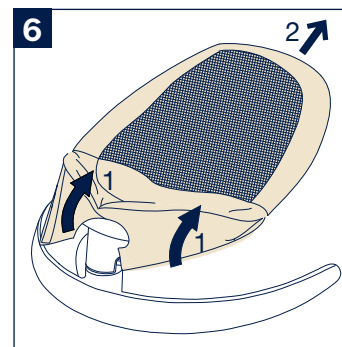
Stage Two Use

- 4 - The seat pad alone is for use as a chair when your child is able to walk.

Seat Pad

- 5 - To remove the seat pad, flip the seat over and unfasten the hook and loop.
- 6 - Flip the seat over, and starting from the bottom, remove the seat pad from the seat frame (1). Then, slide the seat pad up, off the top of the seat frame (2).

⚠ Discontinue stage two use when your child reaches 130 lb (60 kg).



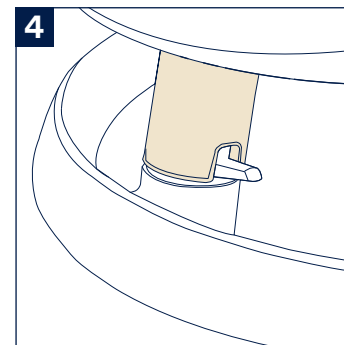
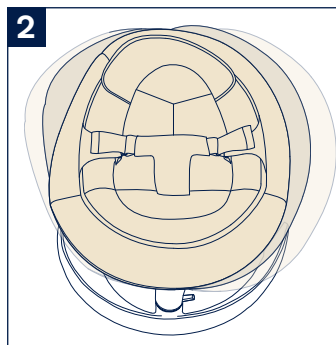
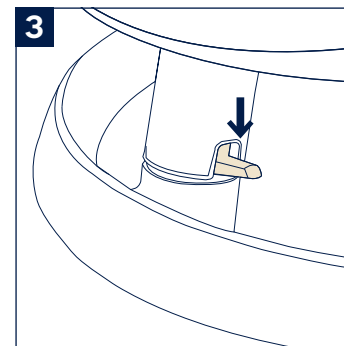
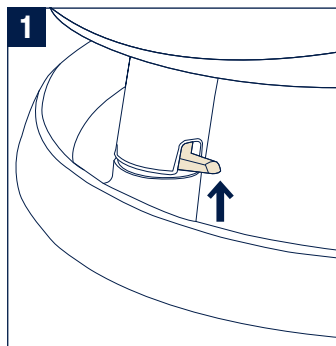
Product Use

Motion Lock

The motion lock provides continuous swaying for both stages of use.

- 1 - Pull the motion lock up to unlock the seat.
- 2 - Push the seat to sway.
- 3 - To lock the seat and stop movement, push the motion lock down. The seat will only lock in the center position.
- 4 - When transporting, lock the base and carry by holding between the seat and the base.

⚠ NEVER lift or carry product while child is in it.



Recline

There are three recline positions.

- 1 - For stage one use, only use in the **LOWEST, MOST RECLINED** position.

⚠ You **MUST** use the harness for stage one use.

The harness is not required for stage two use.

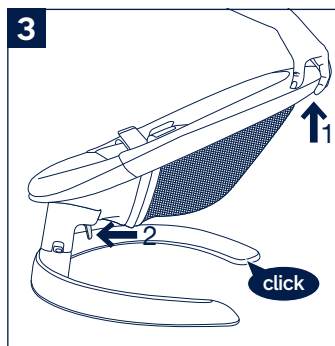
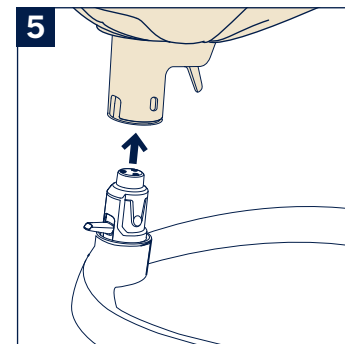
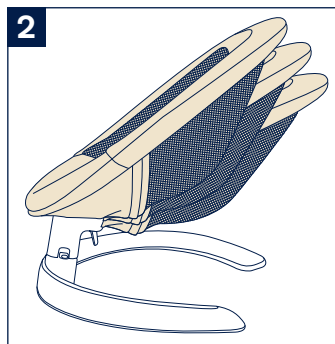
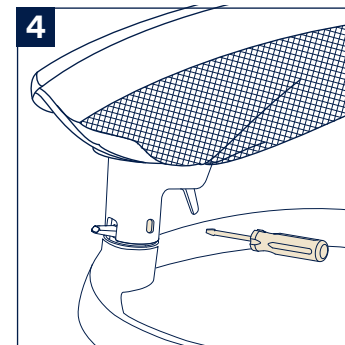
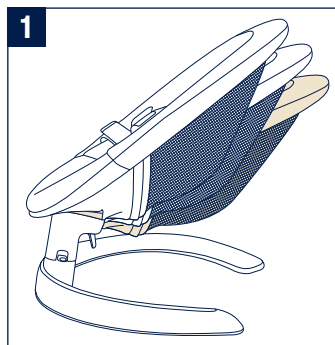
- 2 - **ANY** recline position can be used for stage two use.
- 3 - To lower or raise the recline, pull up on the top of the seat to release the connection (1). Then press in on the recline adjustment button (2) and adjust the seat to the desired recline position. A “click” sound means the recline position is engaged.

Base

- 4 - To remove the seat from the base, insert a flat head screwdriver into the slot on the back of the seat mount, and press to disengage the connection.

- 5 - Once the connection is disengaged, slide the seat off the base mount.

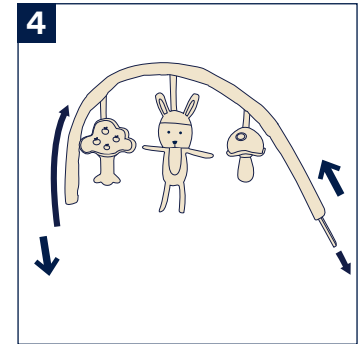
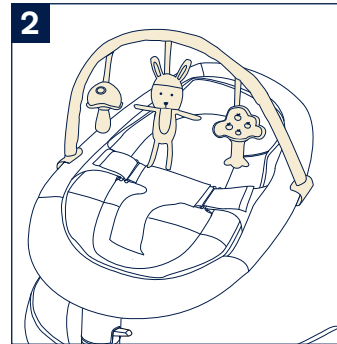
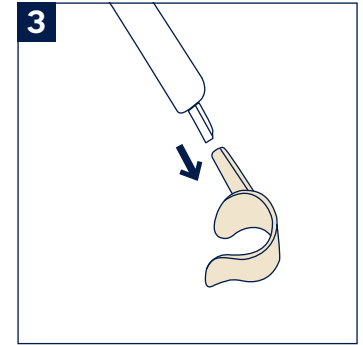
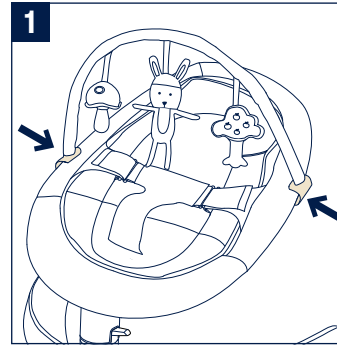
⚠ **DO NOT** detach the seat from the base by any other method.



Accessory

Toy Bar

- 1 - Attach the toy bar clips to each side of the seat frame. The Nuna logo on the toy bar clips should face up.
 - 2 - The assembled toy bar is shown.
 - 3 - To wash the toy bar fabric, remove the toy bar fabric from the toy bar, pull the toy bar clips from each end of the toy bar.
 - 4 - Slide the fabric from the toy bar.
- ⚠ NEVER** use the toy bar fabric separate from the toy bar and **NEVER** use the toy bar without the toy bar fabric.



Cleaning and Maintenance

Refer to the care label attached to the soft goods for washing and drying instructions.

Clean the base and seat frame with a damp cloth and a mild detergent. Dry thoroughly. Do not use abrasives.

It is normal for fabric to color from sunlight and to show wear and tear after a long period of use, even when used normally.

For reasons of safety, only use original Nuna parts.

Check regularly if everything functions properly. If any parts are torn, broken, or missing, stop using this product.