

Designed
around your life



IMPORTANT!
KEEP THESE
INSTRUCTIONS FOR
FUTURE REFERENCE:
READ CAREFULLY

Contents

Product Information	
Product Registration	4
Warranty	4
Contact	4
Child Usage Requirements	5
Warnings	6–9
Parts List	10
Product Set Up	12
Product Use	14
Accessories	
Infant Car Seat Adapters	22
Child Tray	24
Cleaning and Maintenance	26

Product Information

Model Number: _____

Manufactured in (date): _____

Product Registration

Please fill in the above information. The model number and the manufactured in date are located on a label on the bottom of the stroller. Fill out the prepaid registration postcard attached to the product and mail it today.

To register your product please visit:

www.nunababy.com

Click on the “Register Gear” link on the homepage.

Warranty

We have purposely designed our high-quality products so that they can grow with both your child and your family. Because we stand by our product, our gear is covered by a custom warranty per product, starting from the day it was purchased. Please have the proof of purchase, model number and manufactured in date available when you contact us.

For warranty information please visit:

www.nunababy.com/warranty

Contact

For replacement parts, service, or additional warranty questions, please contact our customer service department

In the USA:

infousa@nunababy.com

www.nunababy.com

1.855.NUNA.USA

Child Usage Requirements

This stroller is suitable for use with children who meet the following requirements:

Weight: up to 50 lb (22.7 kg) maximum

Height: 45 in. (114.3 cm)

⚠️ WARNING

Failure to follow these warnings and instructions could result in serious injury or death.

A child's safety is your responsibility. **NEVER** leave your child unattended.

Avoid serious injury from falling or sliding out. Always use seat belt. After fastening buckles, adjust belts to get a snug fit around your child.

To avoid any danger of suffocation, remove all plastic covers before using the stroller and destroy or keep away from babies and children!

Keep small parts away from children as they pose a choking hazard.

Discontinue using this stroller if it becomes damaged or broken.

Use original Nuna parts and accessories only.

Use of this stroller with a child weighing more than 50 lb (22.7 kg) or 45 in. (114.3 cm) in height will cause excessive wear, and stress on the stroller, and could create an unstable condition. Use the stroller with only one child at a time.

To prevent a hazardous, unstable condition, do not place more than 10 lb (4.5 kg) in the storage basket.

Only use the handle in one of the 5 locked handle positions.

Negotiate curbs and rough ground carefully. Repeated impact could cause damage to this stroller.

This stroller is to be used only at walking speed and is not intended for use while jogging, skating, etc.

The parking brake **MUST** be engaged when the stroller is stopped and when placing and removing child.

Overloading, incorrect folding, and using accessories other than those approved by Nuna, e.g. child seats, bag hooks, rain covers, buggy boards, etc., may damage or make this stroller unsafe.

Adding accessories such as purses, shopping bags, or parcels to the handle or canopy can cause the stroller to be unstable.

This stroller does not replace a crib or a bed. Should your child need to sleep, they should be placed in a crib or approved sleeping area based on your child's requirements.

AVOID FINGER ENTRAPMENT Use care when folding and unfolding the stroller. Be certain the stroller is fully erected and latched before allowing your child near the stroller.

STRANGULATION HAZARD Do not place items with a string around your child's neck, suspend strings from the stroller, or attach strings to toys.

ALWAYS keep your child in view while in this stroller.

ALWAYS allow the fabric to dry naturally away from direct heat.

ALWAYS check that the attachments are correctly engaged.

DO NOT let your child play with this stroller.

DO NOT place any item on the canopy of this stroller.

DO NOT leave this stroller exposed in the vicinity of a strong source of heat i.e. a radiator or open fire or store this stroller in a damp place.

DO NOT make any changes or modifications to this stroller, that are not specified in this manual.

DO NOT use storage basket as a child carrier.

NEVER use the stroller on stairs or escalators. You may suddenly lose control of the stroller or your child may fall out.

NEVER allow your child to stand on the footrest.

Child Tray

The child tray is not designed to restrain the child, use the stroller harness at all times.

To prevent a hazardous or unstable condition, do not place more than 1 lb (0.5 kg) in the child tray.

DO NOT use the child tray to lift or carry the stroller.

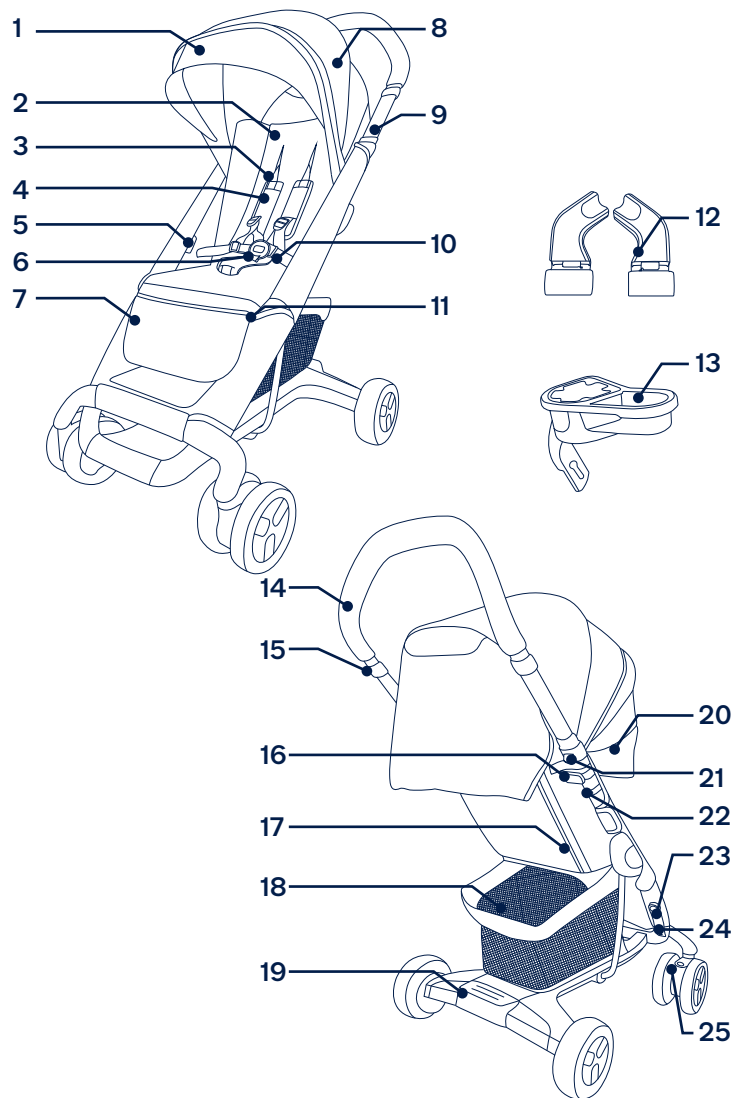
DO NOT use the child tray for foods or beverages above 110°F (43°C) and always wash before/after each use (see cleaning instructions).

Parts List

Make sure all parts are available before assembly.
If any part is missing, please contact Nuna (see page 4 for information). No tools are required for assembly.

⚠ CHOKING HAZARD: Remove and immediately discard protective end caps from each wheel and wheel hub axle.

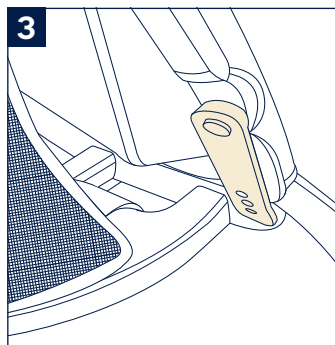
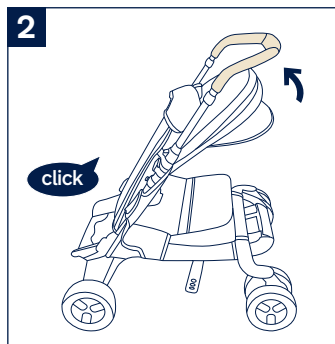
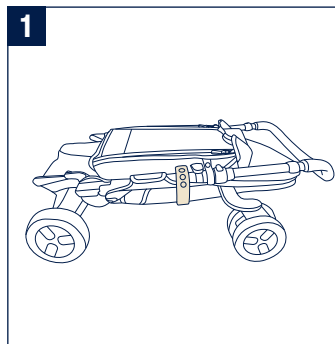
- | | |
|-----------------------------------|-----------------------------|
| 1 Canopy Visor | 14 Handle |
| 2 Seat Pad | 15 Handle Adjustment Button |
| 3 Shoulder Harness | 16 Canopy Mount |
| 4 Shoulder Harness Pads | 17 Recline Zippers |
| 5 Child Tray Mount | 18 Storage Basket |
| 6 Buckle and Crotch Cover | 19 Brake Lever |
| 7 Calf Support | 20 Dream Drape™ |
| 8 Canopy | 21 Folding Button |
| 9 Stroller Frame | 22 Upper Storage Mount |
| 10 Waist Harness | 23 Storage Latch |
| 11 Calf Support Adjustment Button | 24 Lower Storage Mount |
| 12 Infant Car Seat Adapters | 25 Front Swivel Locks |
| 13 Child Tray | |



Product Set Up

Open Stroller

- 1 - Separate the storage latch from the upper storage mount.
- 2 - Then, rotate the stroller handle up. A “click” sound means the stroller frame is open completely.
- 3 - Secure the storage latch to the lower storage mount.
Check the stroller frame is completely latched open before continuing.



Product Use

- ⚠** The brake **MUST** be engaged when the stroller is stopped and when placing and removing child.

Securing Your Child

- 1 - Push the center button on the buckle to release the buckle latch, remove the clips and place your child in the stroller.
- 2 - Connect the shoulder buckle and hip buckle.
- 3 - Secure the shoulder buckle and hip buckle to the buckle latch and repeat on the opposite side.
- 4 - Fit the harness snugly to your child by pulling the adjustment straps to tighten (1). Then slide the waist adjustment straps (2).

Shoulder Harness Position

- 5 - The upper shoulder harness buckles can be moved up and down for added adjustment.

- ⚠** Avoid serious injury from falling or sliding out. Always use the seat belt.

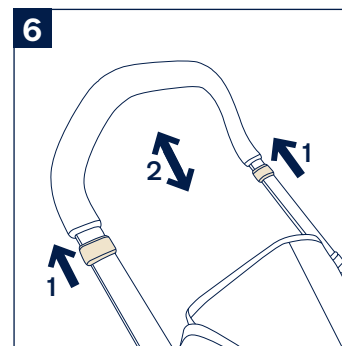
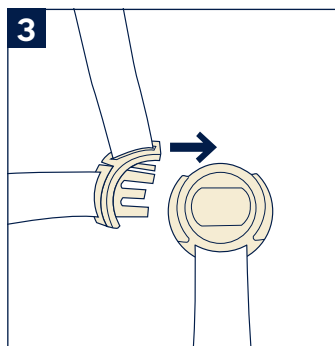
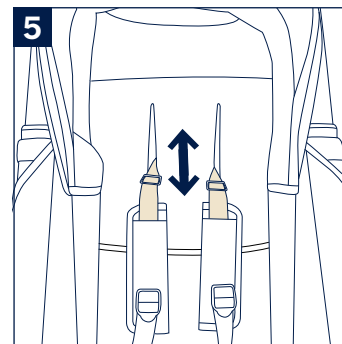
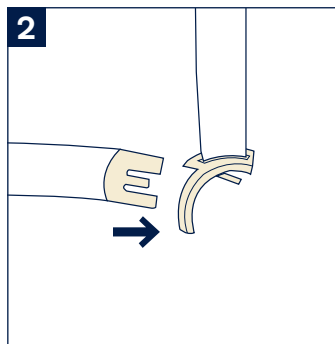
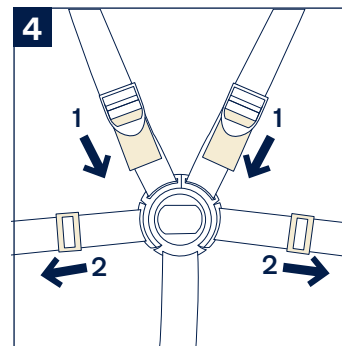
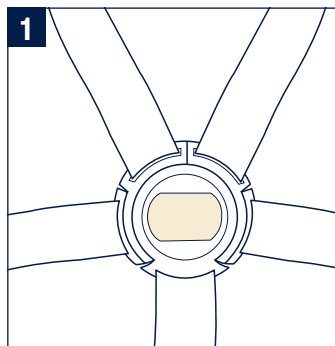
Make sure the harness is adjusted properly and your child is snugly secured. The space between the child and the shoulder harness should be about the thickness of one finger. **DO NOT** cross the shoulder belts. This will cause pressure on your child's neck.

Handle

The handle has 5 positions.

- 6 - To adjust the height of the handle, slide the handle adjustment buttons up to disengage (1). Then pull the handle up or down (2).

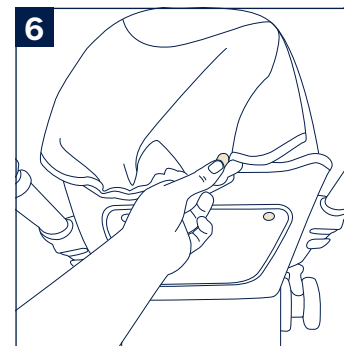
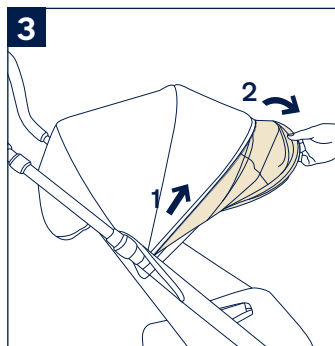
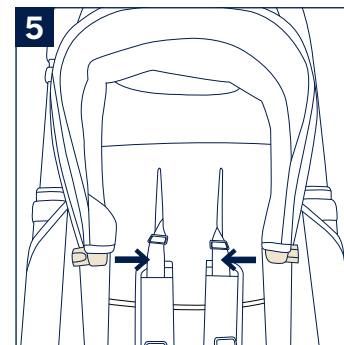
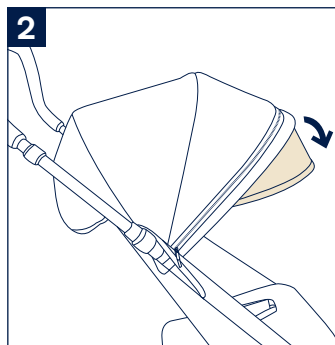
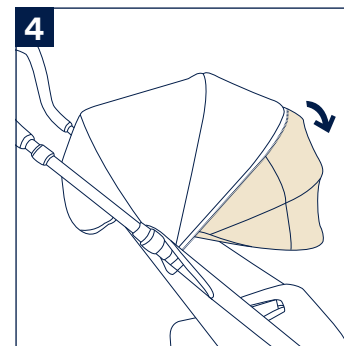
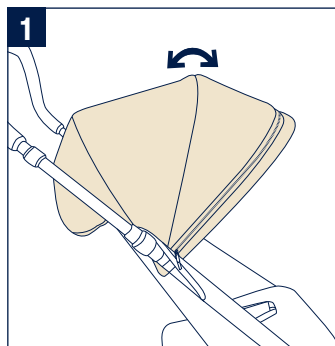
A “click” sound means the handle is locked in position.



Canopy

Fully extend the handle for canopy use.

- 1** - To open the canopy, pull the canopy toward the front of the seat. To close the canopy, push it back.
- 2** - Position the canopy visor forward or backward as needed. When not in use, fold the canopy visor under the canopy.
- 3** - Open the zipper (1) on the canopy to use the dream drape™.
- 4** - Pull down on the dream drape™ for extra shade.
- 5** - To detach the canopy, pull in on the canopy mounts to remove them.
- 6** - Unsnap the canopy from the back of the seat and remove the canopy.
To reattach the canopy, reverse these steps.



Calf Support

The calf support has 2 use positions.

- 1 - To raise the calf support, lift up.
- 2 - To lower the calf support, press the adjustment buttons on both sides (1), and push down (2).

Recline

There are 2 zippers on each side of the seat back allowing for 3 recline positions.

For recline position 1, both zippers remain zipped.

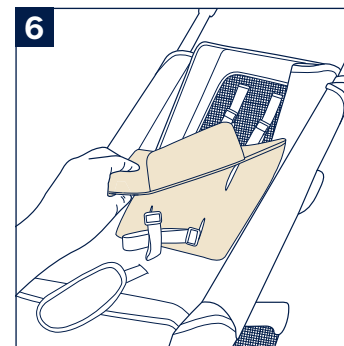
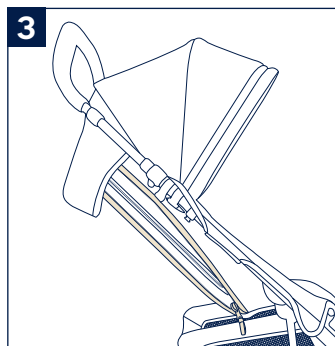
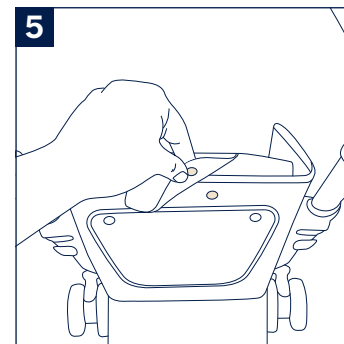
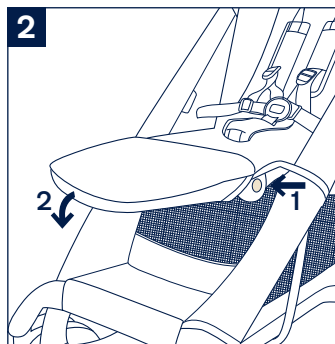
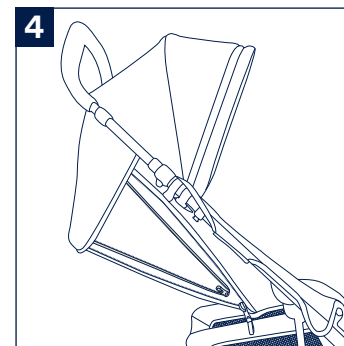
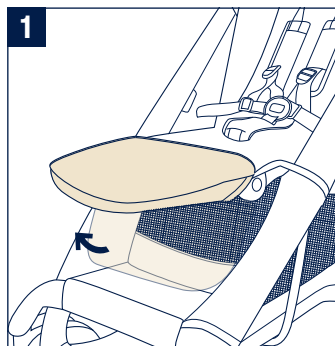
- 3 - For recline position 2, unzip the outer zippers.
- 4 - For recline position 3, unzip the inner zippers.

Seat Pad

The seat pad can be removed to provide a mesh seating area for better ventilation during hot weather.

Remove the canopy before removing the seat pad.

- 5 - To remove the seat pad, unsnap the seat pad from the back of the seat.
 - 6 - Then, unbuckle the harness, thread the harness through the harness slots and remove the seat pad.
- ⚠ DO NOT** remove the backrest tube.



Front Swivel Locks

It is recommended to use the front swivel locks on uneven surfaces.

- 1 - To lock the front wheels, press down on the swivel lock. The lock will engage when the wheel is straight.
- 2 - To unlock the front wheels, pull up on both swivel locks.

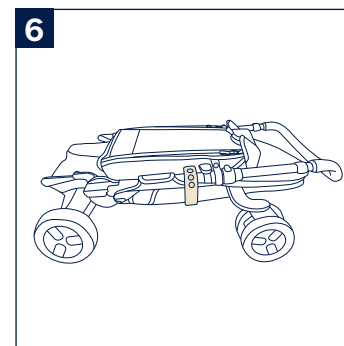
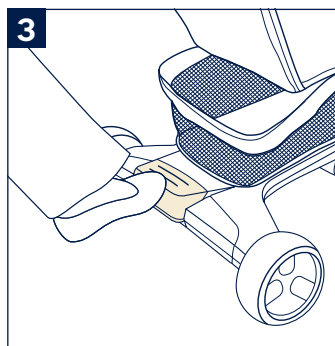
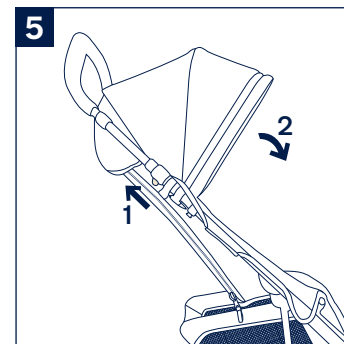
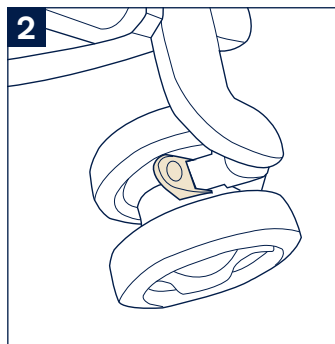
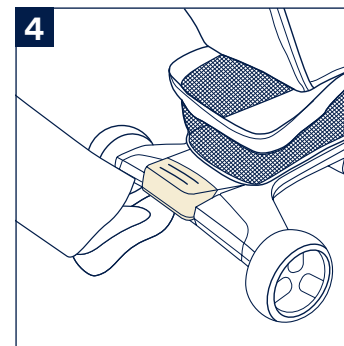
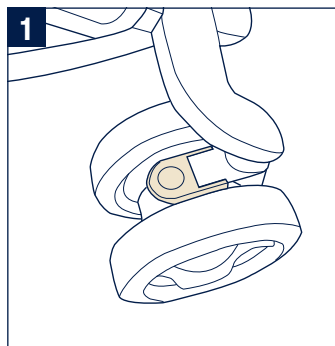
Brake

- 3 - To lock the rear wheels, step down on the brake lever.
 - 4 - To unlock the rear wheels, lift up on the brake lever.
- ⚠** Always apply the brake when the stroller is stopped. Push the stroller slightly to ensure the brake is engaged.

Fold

Before folding the stroller, push the canopy to the rear of the stroller, adjust the handle to the lowest position and separate the storage latch from the lower storage mount.

- 5 - Pull up on the folding buttons (1) and push the stroller forward to fold (2).
- 6 - Secure the storage latch to the upper storage mount.



Accessories

Infant Car Seat Adapters

⚠ Only use Nuna infant car seat adapters with this product.

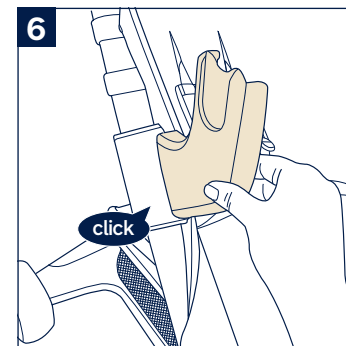
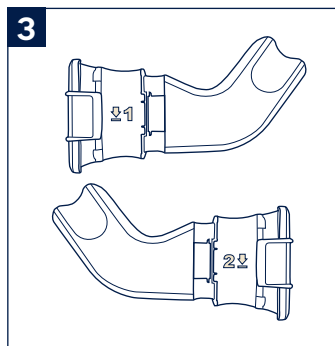
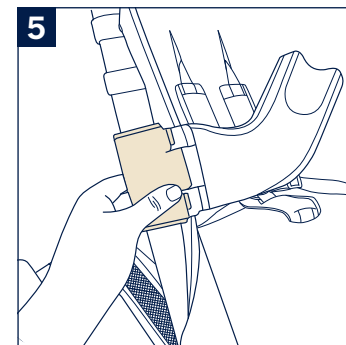
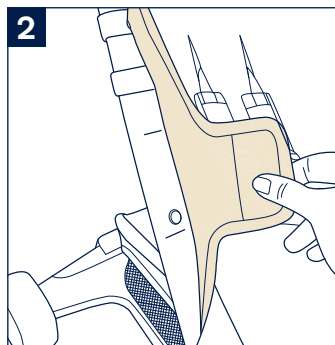
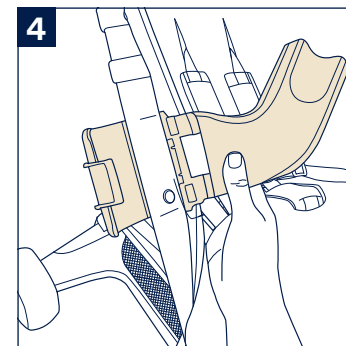
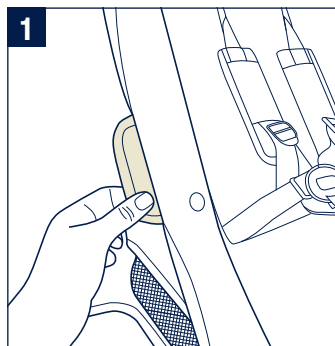
Nuna PIPA series infant carriers can be used with PEPP next using the included infant car seat adapters.

For PIPA series infant carrier assembly and usage, please refer to the infant carrier instruction manual.

Before attaching the car seat adapters, remove the canopy (p. 16).

- 1** - Unfasten the hook and loop from the side of the seat frame.
- 2** - Pull and unsnap the fabric from the seat frame.
- 3** - Unlatch and open the infant car seat adapters, locating the numbers on the inside.
- 4** - Place infant car seat adapter 1 around the left side of the seat frame, with the arrow pointing down. The number should be under the seat frame and the adapter should align with the gray lines on the top of the seat frame.
- 5** - Close the infant car seat adapter over the top of the seat frame.
- 6** - Pull the adapter end toward the seat frame. A “click” sound means the car seat adapter is attached.

Repeat on the right side with infant car seat adapter 2.



Before attaching the PIPA series infant carrier, recline the seat back to position 1, by unzipping the outer zippers.

1 - To attach the infant carrier, place the infant carrier on the infant car seat adapters. A “click” sound means the infant carrier is attached.

2 - To remove the infant carrier, push the stroller release buttons on the infant carrier (**1**) and lift up (**2**).

⚠ Remove the infant carrier before folding.

To remove the infant car seat adapters, unlatch the infant car seat adapters from the seat frame.

Then reattach the fabric to the seat frame and secure the hook and loop.

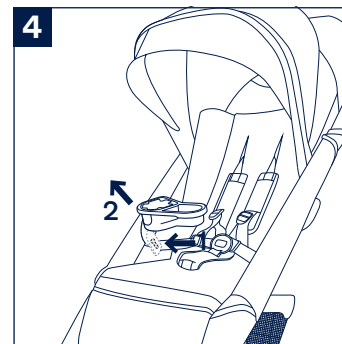
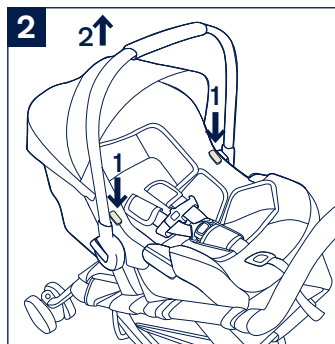
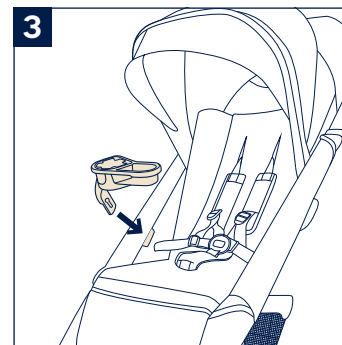
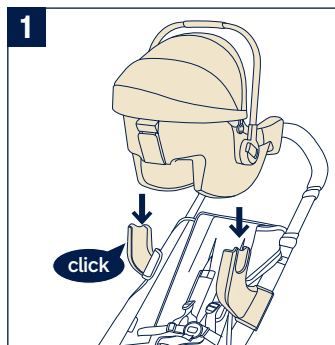
Child Tray

3 - Insert the end of the child tray into the child tray mount on the occupant’s right side. A “click” sound means the child tray is securely attached.

4 - To remove the child tray, press the child tray release button (**1**), and pull the child tray out (**2**).

⚠ Always secure the child with the harness. The child tray is not a restraint device.

Remove the child tray before folding.



Cleaning and Maintenance

Clean the frame, plastic parts, and fabric with a damp cloth, but do not use abrasives or bleach. Do not use silicon lubricants as they will attract dirt and grime. Do not store your stroller in a damp place.

Clean the stroller wheels regularly with water and remove any dirt.

To ensure long-lasting use, wipe off this product with a soft, absorbent cloth after using it in rainy weather.

Refer to the care label attached to the fabric for washing and drying instructions.

It is normal for fabric to color from sunlight and to show wear and tear after a long period of use, even when used normally.

The child tray is not dishwasher safe. Wash with lukewarm water and a mild dish soap. Rinse, then drip dry or towel dry.

For reasons of safety, only use original Nuna parts.

Check regularly if everything functions properly. If any parts are torn, broken, or missing, stop using this product.

Nuna Baby Essentials, Inc. Nuna and all associated logos are trademarks.

